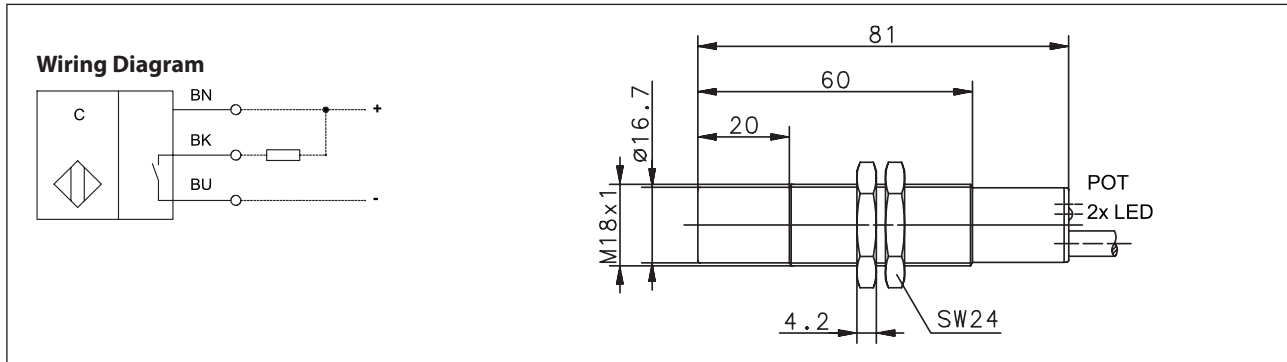


Capacitive Proximity Switch Series M18

Description **KCN-T18NS/008-KLP2**

Article number **6507321723**



Identifying characteristics in accordance with EN 60947-5-2

Electrical data		
Rated operating distance	S_n	8 mm
Mounting		non flush
Standard target		3· S_n x 3· S_n x 1 mm; material: steel; connected to earth
Effective operating distance	S_r	1-8 mm; S_r adjustable via potentiometer (POT). Clockwise rotation increases sensitivity, Turning to the left reduces the sensitivity
Assured operating distance	S_a	$0 \leq S_a \leq 0,8 \cdot S_r$
Switching element function		N.O.
Repeat accuracy	R	$\leq 0,1 \cdot S_r$
Differential travel (hysteresis)	H	$\leq 0,2 \cdot S_r$
Frequency of operating cycles	f	≈ 25 Hz
Rate doperational voltage	U_e	12 V - 48 V DC
Operational voltage range	U_B	10 V - 60 V DC
Rated insulation voltage	U_i	75 V DC
Rated impulse withstand voltage	U_{imp}	500 V
Voltage drop	U_d	< 3 V DC
Utilization category		DC-13 (Switching element)
Rated operational current	I_e	200 mA DC
Minimum operational current	I_m	1 mA DC
Off-state current	I_r	$\leq 0,5$ mA DC
No-load supply current	I_o	≤ 20 mA DC
Switching element		permanent overload and s.c.p.
Short-circuit protection		pulsed
Rated supply frequency		DC
False polarity protection		with permutation of +, -, output no damage occurs
Time delay before availability	t_v	< 50 ms

Mechanical Data	
Enclosure	PBT, black
End cap	PA6.6, black
Ambient air temperature	-25 °C ... +70 °C
Type of protection	IP67
Pollution degree	3 (Pollution of the active zone can cause impairments of the operating distances)
Indication	Power ON = LED green Output ON = LED yellow
Termination type	Cable 3 x 0,5 mm ² x 2 m, PVC-outer jacket black
For attachment	Hexagon nut, PA6.6, black

EU Conformity	
	acc. to directive 2014/30/EU (EMC-Directive)